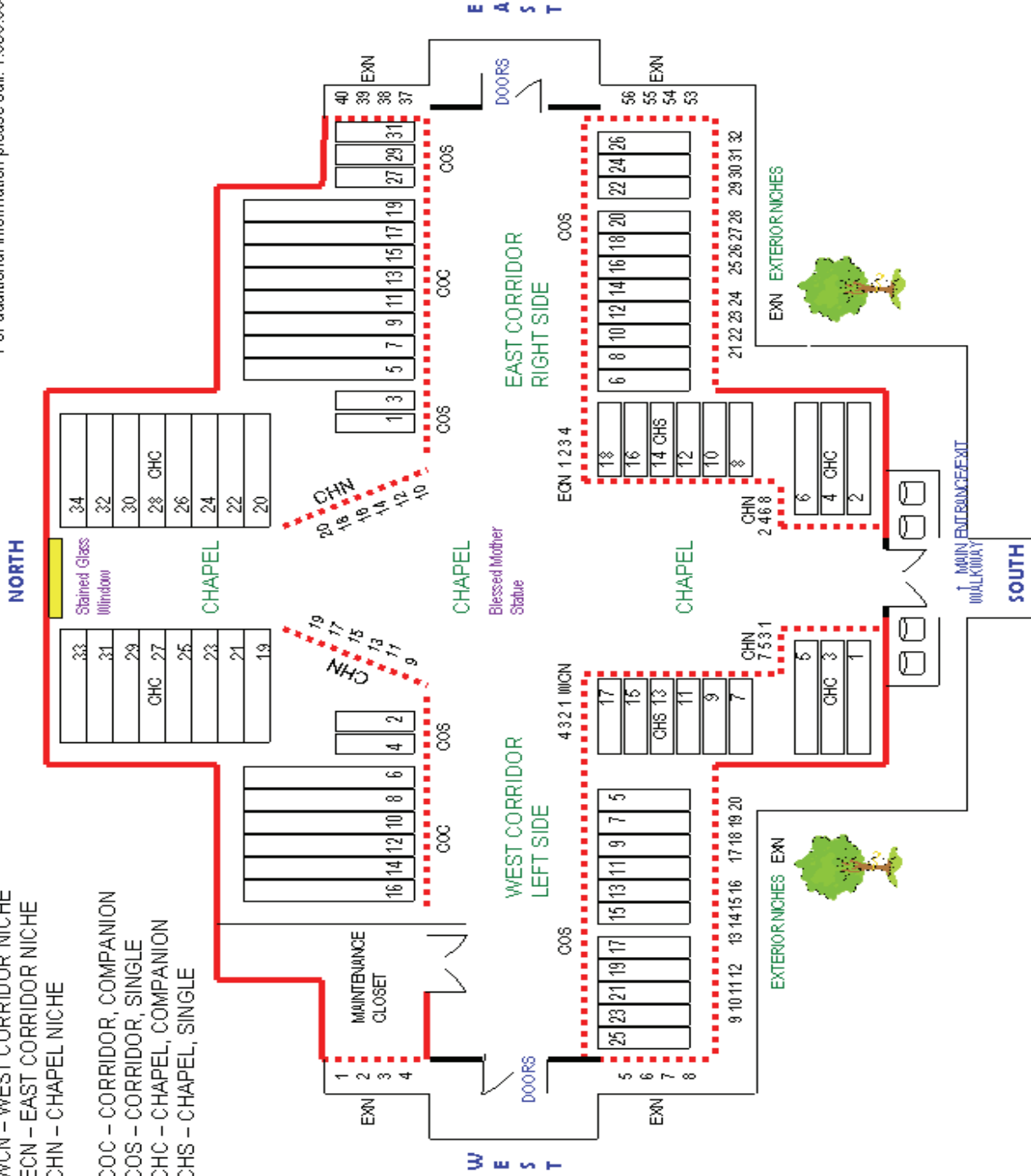


Assumption Cemetery - Our Lady of The Angels Mausoleum, Wheaton, IL

- EXN - EXTERIOR NICHE
- WCN - WEST CORRIDOR NICHE
- ECN - EAST CORRIDOR NICHE
- CHN - CHAPEL NICHE
- COC - CORRIDOR, COMPANION
- COS - CORRIDOR, SINGLE
- CHC - CHAPEL, COMPANION
- CHS - CHAPEL, SINGLE

For additional information please call: 1.630.668.3313

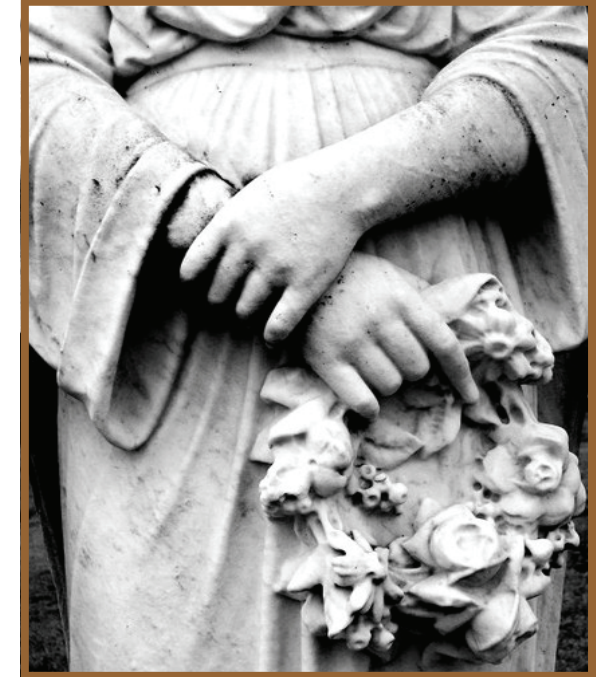


Assumption Cemetery & Mausoleum
 15.510 Winfield Rd., Wheaton IL 60189
 630.668.3313 fax 630.668.0204

Offering

- Immediate Need & Pre-need Services
- Complete Burial Packages
- Private Estate Mausoleum Structures
- Community Mausoleum Structures
- Cremation Niche options
- Ground Burial Space
- Cremation Garden Burial Space
- Personalized and Custom Memorials
- Graveside or Chapel Services for final committal
- Perpetual Care

Mausoleum Crypt & Cremation Niche Guidelines



CATHOLIC CEMETERIES of the Diocese of Joliet
www.dioceseofjoliet.org/cemeteries

Mausoleum Crypt & Cremation Niche Guidelines

This guide is designed for your protection, and to preserve the reverence, serenity, and beauty of the cemetery.

Cemetery & Mausoleum Visiting and Office Hours

Monday - Friday 8:00 am. - 4:30 pm.
 Saturday 8:30 am. - 2:00 pm. or appointment
 Sunday 10:00 am. - 2:00 pm. appointment only

Office & Mausoleum are closed on:

| | |
|------------------------|------------------|
| New Years Day | Labor Day |
| Martin Luther King Day | Columbus Day |
| Good Friday | Thanksgiving Day |
| 4th of July | Christmas Day |

Outdoor grounds are open for visiting every day of the year. Normal hours are from 8:00 am. until dusk. The main gated cemetery entrance on is closed after normal visiting hours.



GENERAL GUIDELINES

Assumption Cemetery & Mausoleum has created specific and personalized decorating regulations that govern to maintain the enduring beauty of the surroundings, as well as provide visiting family and friends a pleasing and sacred place to gather for prayer and remembrance.



Chapel Mausoleum

Our wish is to be as sensitive as possible to your needs in allowing you to express your grief and love in adorning your loved ones site, keeping in mind the reverence and beauty of the entire cemetery.

PROBLEMS BEYOND OUR CONTROL—Since the cemetery is open to the public, it is very difficult to control the activity of every visitor. We regret that we cannot guarantee items from damage or disappearance. *We'd advise you not to place any objects of sentimental value.*

Our Lady of Angels Mausoleum



CRYPT Decoration Policy & Guidelines

The Catholic Cemetery is a Holy place. These grounds and buildings are blessed by the Church as a place of prayer and dignity for our faithful departed.

Please maintain a quiet reverence and respect for others visiting the final resting place of their loved ones.

We encourage the placement of decorations in moderation and we also ask that the utmost respect be given to all the personal decorations placed by families in this mausoleum.

Please do not disturb the decorations of others as they hold a special meaning to them and their family whose loved ones are remembered here.



Glass Front Cremation Niches

Catholic Cemeteries reserves the right to remove any decorations that we consider inappropriate, do not conform to the guidelines, or may cause damage to the mausoleum or injury to our visitors or maintenance personnel.

If your loved ones site needs attention:
 or if you need to order lettering or engraving
 please visit our office or call us for
 assistance at: 630-668-3313